

ARROW ASSEMBLY INSTRUCTIONS

Please check for the latest version of these instructions at actevmotors.com/support/

TABLE OF CONTENTS

SECTION 1: STEERING.....1

SECTION 2: STEERING COVER.....5

SECTION 3: SEATBACK, REAR COVER, AND BATTERY.....8

SECTION 4: FLAG.....13

SECTION 5: PEDAL ADJUSTMENT AND FUNCTION.....14

SECTION 6: ACTEV APP SETUP.....16

IMPORTANT WARNINGS

The information in this document affects safety and your legal rights and responsibilities. Failure to carefully read and follow the assembly instructions and warnings may result in serious injury to you, your child or bystanders, and result in damage to your Arrow Smart-Kart.

This product should never be driven by children without direct adult supervision at all times. Because speeds up to 12mph may be achieved, the Arrow must be operated using caution and common sense. Failure to operate this product in a safe and responsible manner could result in injury or damage to the product or other property.

By using the Arrow you hereby agree to this disclaimer and signify that you have read it fully. Actev Motors assumes no liability for damages or injuries incurred directly or indirectly from misuse of this product. Misuse includes, but is not limited to, using unapproved batteries or chargers, altering motors or other drive train components, using unapproved wheels or tires, driving the product in unsafe conditions or using the product without adult supervision.

LIMITED WARRANTY

Actev Motors provides a 120-day limited warranty from the delivery date of your Arrow Smart-Kart, and a six-month limited warranty on the Smart Lithium-Ion Battery.

This warranty covers normal use but does not cover the product if damaged by improper use, neglect, accident, abuse, misuse, improper service or other causes not arising out of defects in materials or workmanship. Improper use includes driving on unpaved surfaces, on hills or in wet conditions. Evidence of any attempt at consumer repair will void this warranty.

THIS WARRANTY DOES NOT COVER, AND IS INTENDED TO EXCLUDE, ANY LIABILITY ON THE PART OF ACTEV MOTORS, WHETHER UNDER THIS WARRANTY OR IMPLIED BY LAW FOR ANY INDIRECT OR CONSEQUENTIAL DAMAGES FOR BREACH OF WARRANTY. SOME STATES DO NOT ALLOW THE EXCLUSION OR LIMITATION SO THIS LIMITATION MAY NOT APPLY TO YOU.

If this product has a manufacturing defect within 120 days of receipt, contact warranty@actevmotors.com. Please keep your shipping box. The warranty does not cover return shipping damage resulting from insufficient packaging.

SAFE DRIVING WARNINGS AND RULES

While children quickly develop the skills necessary to drive the Arrow, it is important to remember that their judgment skills are still immature. Because of this, the Arrow should never be driven by children without direct adult supervision at all times.

Before children drive the Arrow, an adult should carefully inspect the driving area and evaluate each driver's skill level. Teach safety rules to your child before allowing operation of this Arrow. These rules should also be reviewed with any children who may also drive the Arrow. However, because children are not always able to recognize or anticipate hazards, there is no substitute for direct adult supervision.

You and your children should always follow these safe driving rules and warnings:

- This product moves when used. Misuse of this product can cause severe **INJURY** and **DEATH**.
- Adult supervision is **REQUIRED**.
- **TRAFFIC CAN BE DEADLY!** Not for use on public roads, sidewalks, or near vehicles.
- Do not drive in the rain or on wet surfaces.

- This product has no mechanical brake; it is intended for use on level, smooth, dry, paved surfaces only.
- Driving down steep hill grades may result in excessive speed causing serious **INJURY** and **DEATH**.
- This product should be used at daytime or well-lit areas; it should not be used in low visibility conditions.
- Do not drive near bodies of water (such as pools or creeks), obstructions (such as furniture, low tree limbs or play equipment) or drop-offs (such as stairs or decks).
- Only drive in the daytime or in a well-lit area.
- Rider should wear helmet, closed-toe shoes, and tight-fitting clothes while operating this product.
- Rider should remain seated in a proper operating position while driving and keep hands and feet away from wheels, chains, and motors.
- Check and follow local laws and regulations about use of this product.
- Do not modify or alter this product in any way; use of unapproved accessories may be dangerous.
- Never touch wheels, chains or motors during operation.
- Do not drive near flammable vapors (gasoline, paint thinner, acetone, etc.).
- Keep all spectators at a safe distance from the Arrow.
- Do not allow other children to play or run in the area where the Arrow is being driven

ARROW MAINTENANCE

To maintain safe and reliable operation of your Arrow, occasionally do the following:

- Check the tires for correct air pressure and good condition. We recommend tires be at 18 psi, and no more than 30 psi.
- Check drive chains and lightly oil if necessary.
- Check nuts and bolts and tighten if necessary.

CLEANING THE ARROW

- Use a damp cloth to wipe the down the seat, steering shaft and wheels.
- Do not spray the vehicle with a hose or submerge in water.
- Do not use any soap, detergent or solvents to clean your Arrow.

BATTERY AND CHARGER WARNINGS

Lithium-Ion batteries contain hazardous chemicals and store considerable energy. Observe the following rules to prevent fire, explosion or serious injury:

- Observe all safety warnings on the battery label.
- Use only Actev Motors Lithium Ion Battery; use of improper battery could cause **FIRE** and **EXPLOSION!**
- Misuse, modification, and damage can cause Lithium Ion batteries to **IGNITE** and **EXPLODE!**
- Use only Actev Motors Lithium Ion Battery Chargers.
- Contact Actev Motors immediately if suspected of damage!
- Always secure battery with straps when driving.
- Battery should not be used or charged below 0°C (32°F) or above 40°C (104°F).
- Only carry the battery by holding onto the main case—do not carry by the cable.
- Never insert any objects into the battery connector.
- Do not remove the protective cover or disassemble the battery.
- Always protect the battery from damage during transportation.
- Never dent or pierce battery case.
- Clean the battery with a damp cloth—never immerse in water.
- Do not heat above 212°F (100°C).
- Do not modify in any way, crush, or dispose of in fire.

BATTERY DISPOSAL

- Return a damaged exhausted battery to a federal or state approved Lithium-Ion battery recycler. Contact your local waste management officials for other information regarding environmentally sound collection, recycling and disposal of Lithium-Ion batteries.
- Do not dispose of a Lithium Ion battery in your regular household trash. Incineration, landfilling or mixing of Lithium-Ion batteries with household trash is prohibited by law in most areas.
- Do not dispose of a Lithium-Ion battery in a fire. The battery may explode or leak.

ACTEV APP

APP SAFETY RULES

- Watch the safety tutorial video and understand the Actev App operation.
- Fully charge your mobile device before launching the Actev App.
- Do not accept phone calls when using the Actev App.
- Read all prompted safety tips, warning messages and disclaimers.
- Understand how Anti-Collision and Geo-Fence operate before using.
- Make sure you understand how to use the Emergency Stop button.
- Make sure you know how to adjust the speed limit.
- Become familiar with any driving restrictions in the driving area.

FIRMWARE UPDATES

Firmware updates may contain important safety enhancements, so always update firmware to the latest version when an upgrade notification is displayed in the Actev App. The Arrow must be connected to a battery charger for a successful firmware update process.

Firmware upgrade notifications will prompt you to proceed with an update immediately or to update the firmware within three days. If you choose to ignore the current firmware update, you are required to accept the prompted disclaimer.

FCC STATEMENT (United States Only)

This equipment has been tested and found to comply with the limits for a Class B digital device, pursuant to Part 15 of the FCC Rules. These limits are designed to provide reasonable protection against harmful interference in a residential installation. This equipment generates, uses and can radiate radio frequency energy, and if not used in accordance with the instructions, may cause harmful interference to radio communications. However, there is no guarantee that interference will not occur in a particular installation. If this equipment does cause harmful interference to radio or television reception, which can be determined by turning the equipment off and on, the user is encouraged to try to correct the interference by one or more of the following measures:

- Reorient or relocate the receiving antenna.
- Increase the separation between the equipment and receiver.

Arrow Smart-Kart is a trademark of Actev Motors, Inc. Names of products, brands, etc., appearing in this manual are trademarks or registered trademarks of their respective owner companies. This manual is copyrighted by Actev Motors, Inc. with all rights reserved. No part of this product or document shall be reproduced in any form without the prior written consent or authorization of Actev Motors.



WARNING

CHOKING HAZARD —

**This product contains small parts.
Not for children under 3 years old.**



WARNING

To reduce the risk of injury, adult supervision is required. Never use in roadways, near motor vehicles, on or near steep inclines or steps, swimming pools or other bodies of water; always wear shoes, and never allow more than one rider.



WARNING

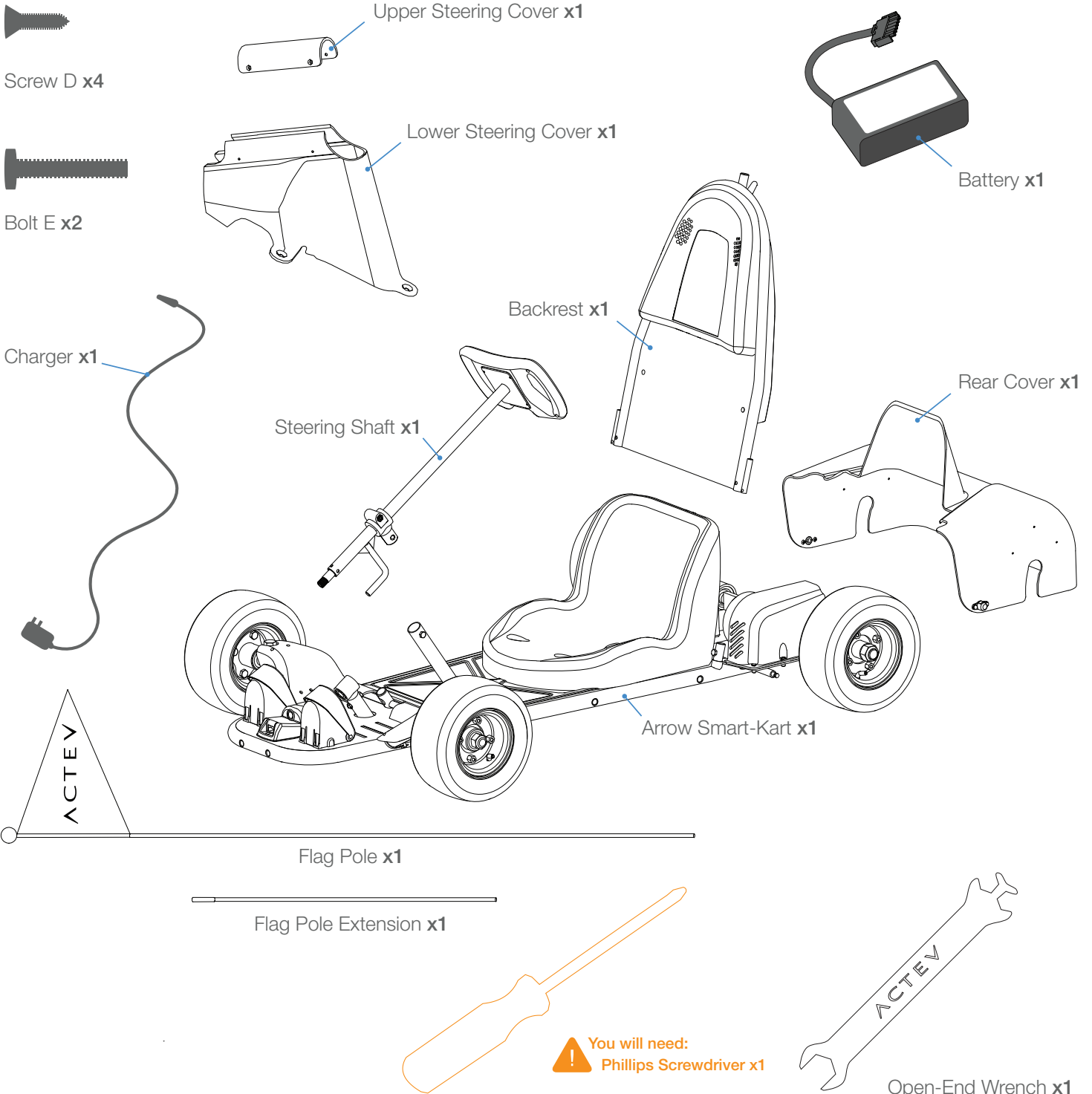
This product to be assembled by an adult.

Recommended Age: 5-9 years old

Weight Limit: 130lbs (59kg)

Parts included for the Arrow Smart-Kart assembly:

Please make sure all the parts below are included in the box. If not, please contact customer support.



A NOTE ABOUT SHIPPING DAMAGE

The Arrow Smart-Kart is a complex, relatively heavy product being shipped in a cardboard box. While steps have been taken to ensure the Arrow arrives in perfect condition, it is possible that it may have become damaged during shipment. Please complete the following steps to be positive that your Arrow is in good, working order.

- 1) Remove the Arrow and all its components from the shipping box and place on level, clean ground.
- 2) Look for any visible damage to the Arrow.
- 3) Raise the rear of the Arrow and spin each rear wheel by hand, making sure it does not wobble, bind, or make unusual noise.
- 4) While spinning the wheels, make sure the chains are straight on the sprockets and do not appear loose enough that they may fall off. Both chains should have similar tension.
- 5) Check the pedal function by fully depressing and releasing them. They should move smoothly and without any binding.
- 6) Inspect the Backrest for damage. There should be no loose wires or components.

If your Arrow seems undamaged, please proceed to assemble it and enjoy! If there is anything that causes concern, please contact Customer Support at support@actevmotors.com.



ATTENTION: Please keep the shipping box(es) in good condition until the product functionality is confirmed. Any return shipment must be delivered to Actev Motors using the original packaging.

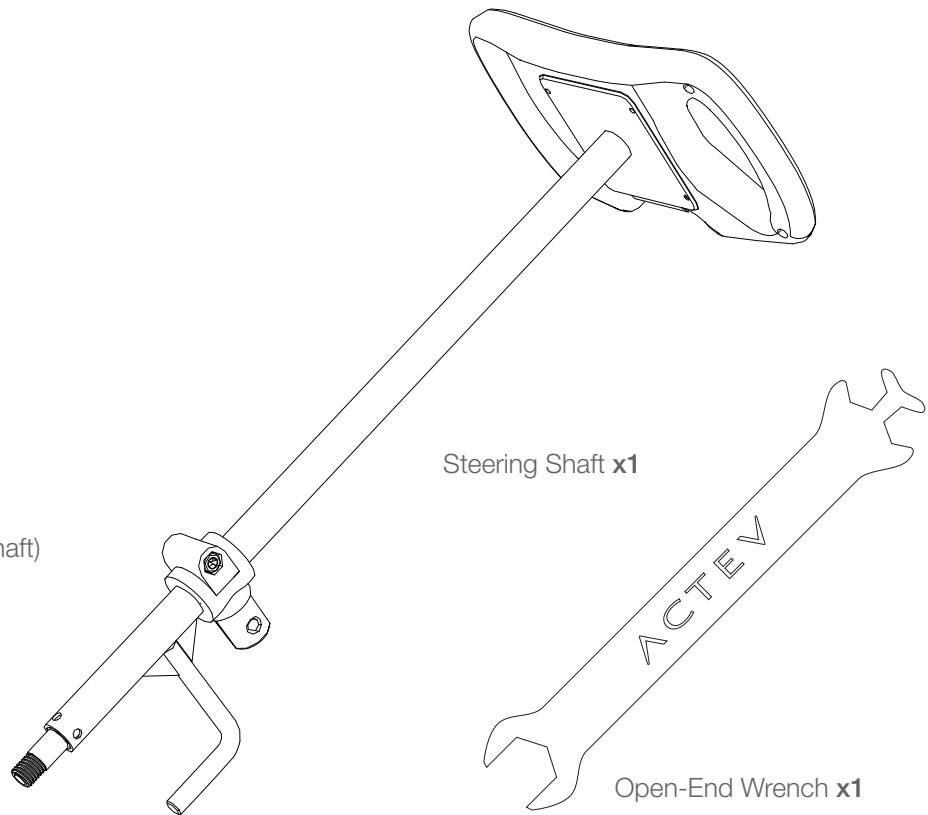
Provided Parts



Bolt A **x1**
(installed in steering support)



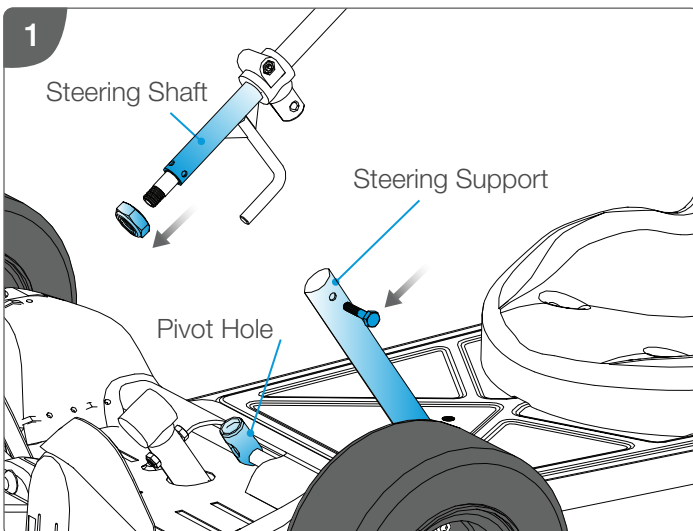
Nut B **x1**
(attached to end of steering shaft)



Steering Shaft **x1**

Open-End Wrench **x1**

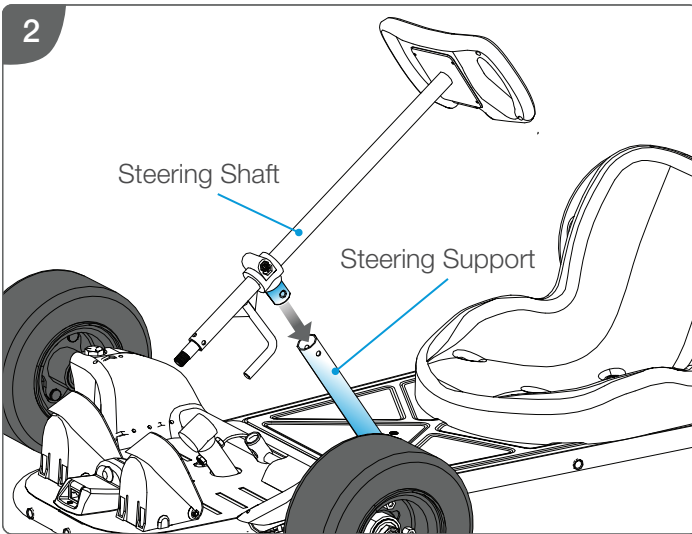
We recommend removing all items from the shipping box and then reclosing the box. Place the box on your garage floor, and then set the Arrow on top of the box for easier assembly.



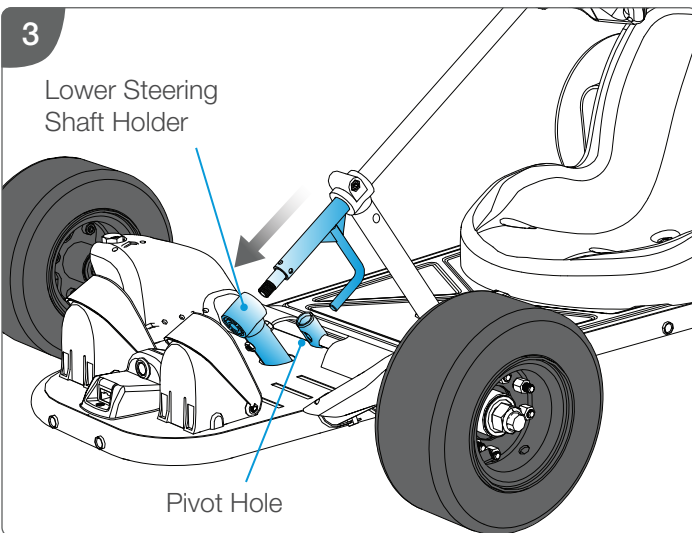
Using your fingers or the wrench, remove Bolt A from the steering support, and Nut B from the end of the steering shaft.

Keep hardware close by.

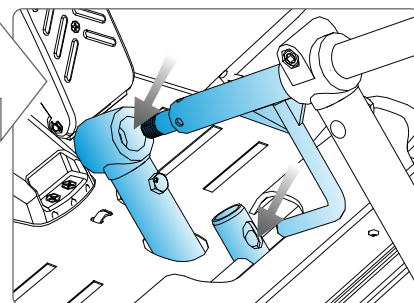
Remove and discard zip-tie through pivot hole.



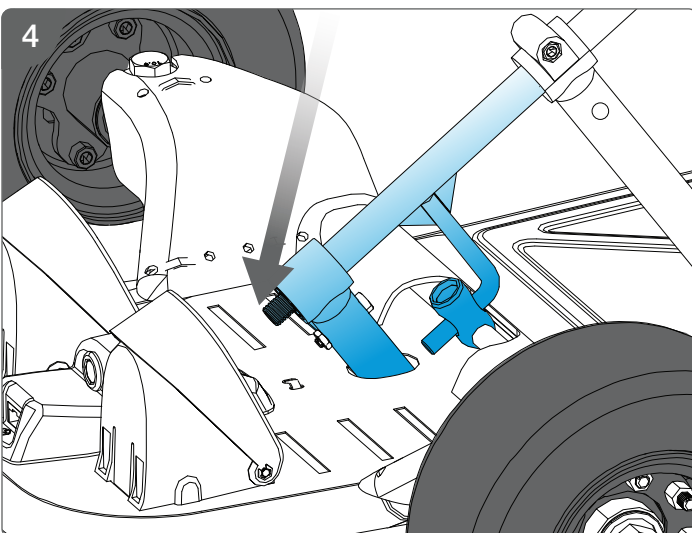
Align the holes of the steering shaft and the steering support. Push steering shaft into steering support. (Do not install the steering support bolt yet.)



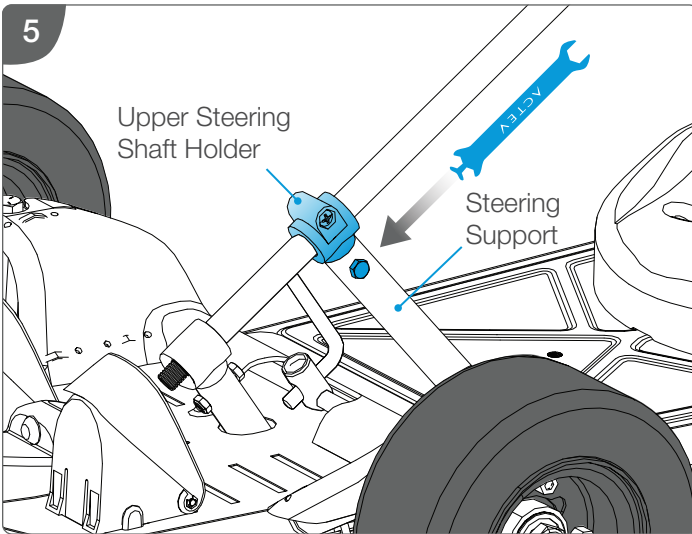
Push the steering shaft so the steering shaft arm is inserted into the pivot hole and the end of the steering shaft is inserted into the lower steering shaft holder.



Note: You may need to use your body weight to push the steering shaft into place.



Make sure the steering shaft is fully seated into the lower steering shaft holder, and that the threaded end protrudes past the holder by approximately 1.3 cm (0.5 in).

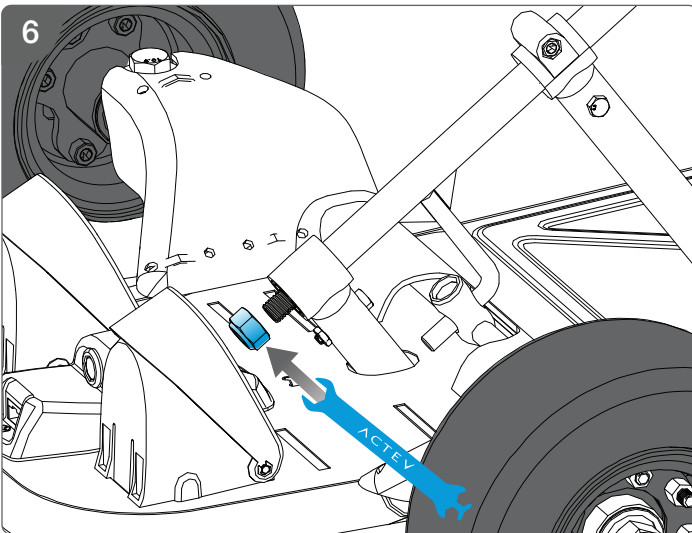


Insert Bolt A through the steering support and steering mount.

Tighten the steering support bolt using the open-end wrench. When properly tightened, the upper steering shaft holder should not be loose inside the steering support.



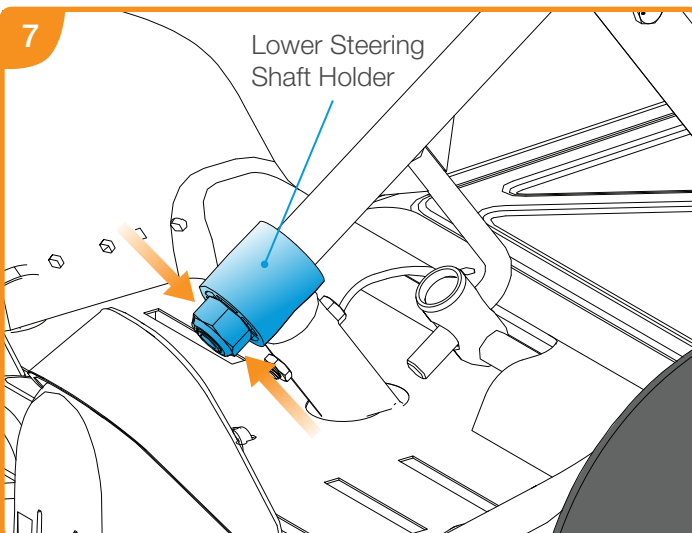
Bolt A x1



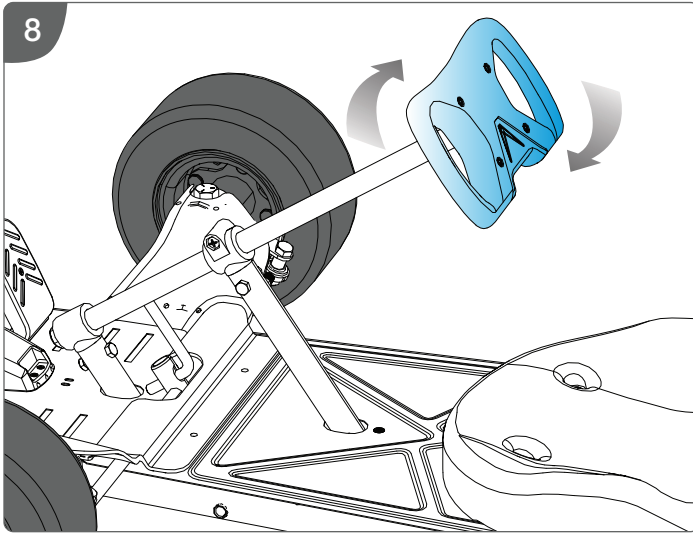
Thread Nut B onto the end of the steering shaft and tighten with the open-end wrench. Be careful not to cross-thread the nut on the steering shaft.



Nut B x1




ATTENTION: Tighten Nut B until it just touches the lower steering shaft holder.



Test the steering wheel. Prop the front of the Arrow up so the wheels are off the ground. Then move the steering wheel back and forth to test the steering.

If the steering wheel is too hard to turn, use the open-end wrench to slightly loosen the nut.

 **ATTENTION:** Do not loosen nut more than one full turn.

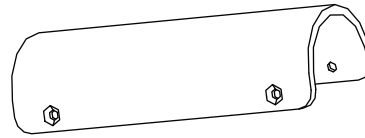
Provided Parts



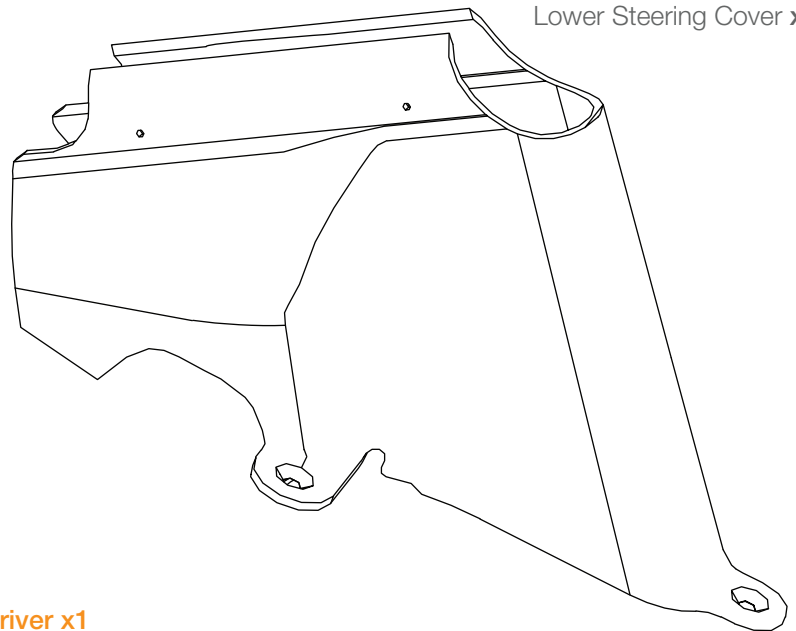
Screw C x3
(installed in Arrow chassis)



Screw D x4




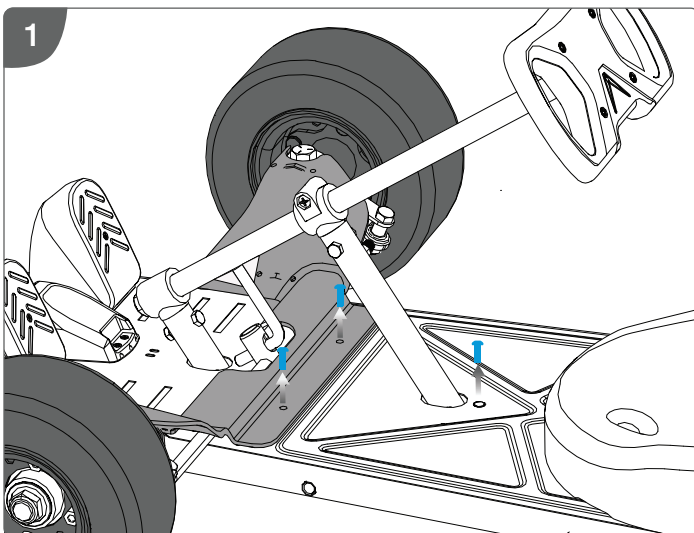
Upper Steering Cover x1



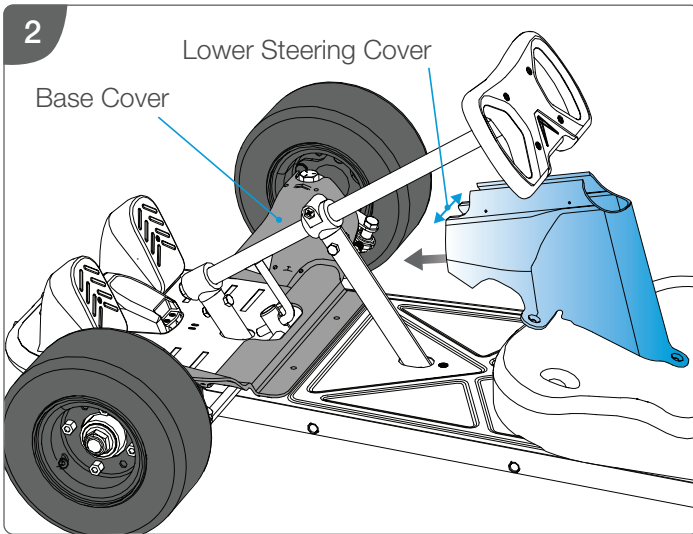
Lower Steering Cover x1



 You will need:
Phillips Screwdriver x1

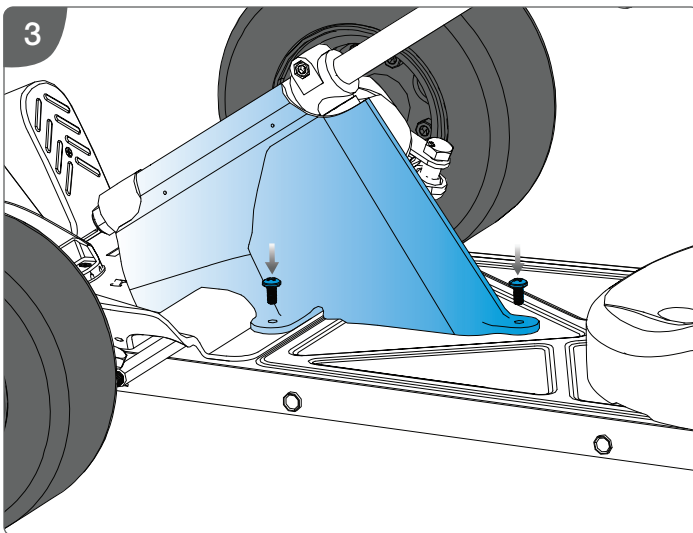
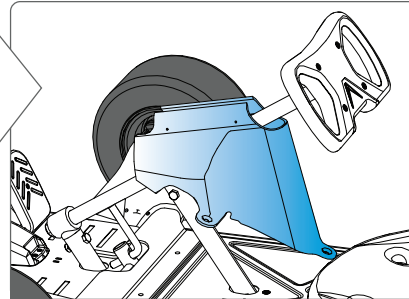


Using your fingers or screwdriver, remove 3x Screw C from Arrow chassis. Keep hardware close by.



Slightly expand the lower steering cover and place around the steering shaft so that the open end is facing the front of the Arrow.

Note: The base cover is already attached to the Arrow.

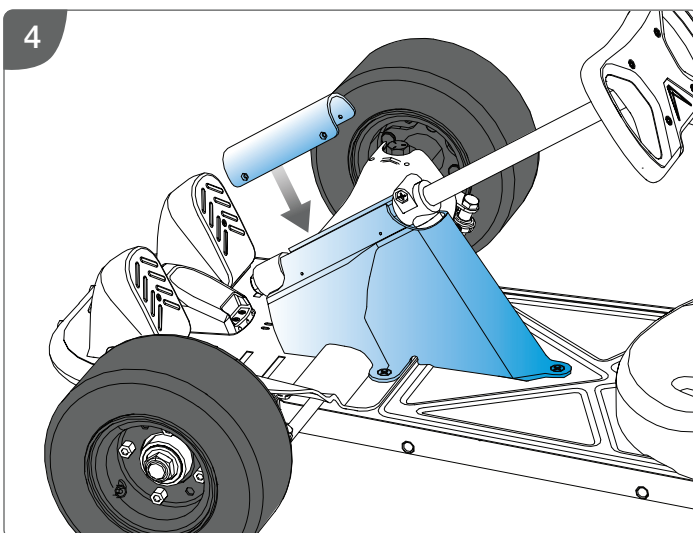


Insert 3x Screw C through the lower steering cover and tighten with a Phillips screwdriver.

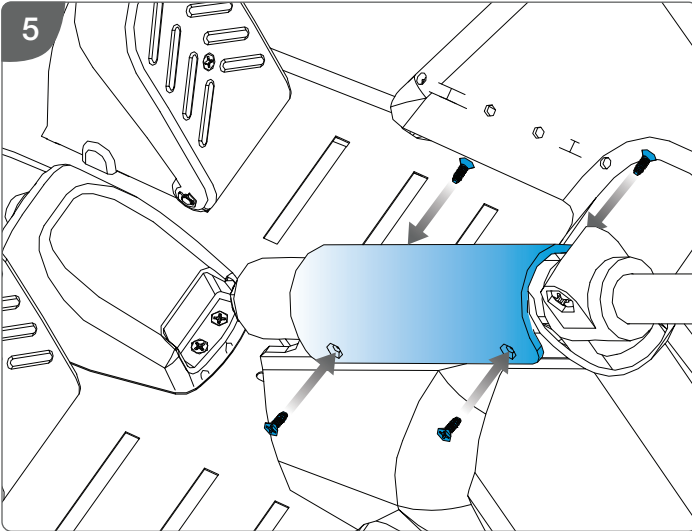
Note: Two of the screws will go through both base cover and lower steering cover.



Screw C x3



Place the upper steering cover over the top of the steering shaft.



Insert 4x Screw D into each of the four holes on upper steering cover and tighten with a Phillips screwdriver. Do not over-tighten to prevent stripping the plastic threads.

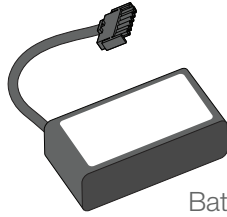


Screw D x4

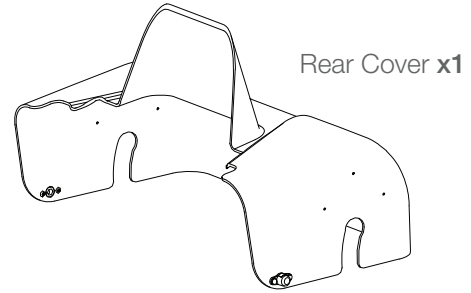
Provided Parts



Bolt E x2



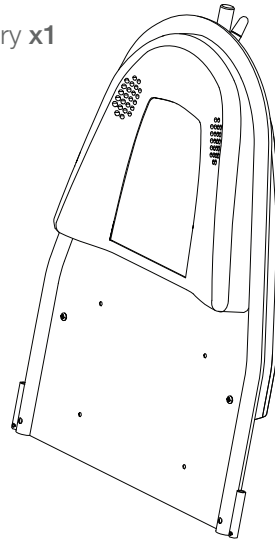
Battery x1



Rear Cover x1



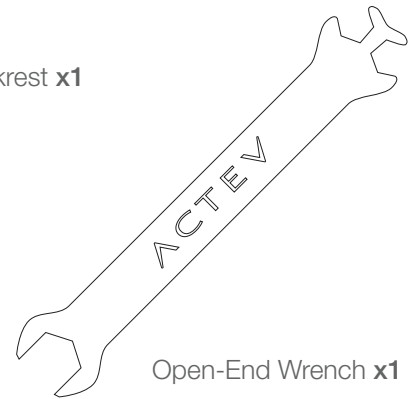
Screw F x1
(installed in rear axle brace)



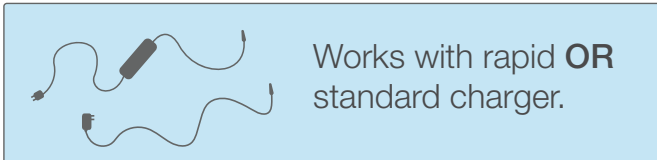
Backrest x1



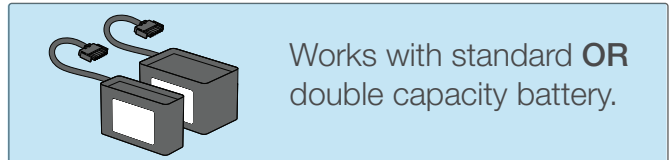
Charger x1



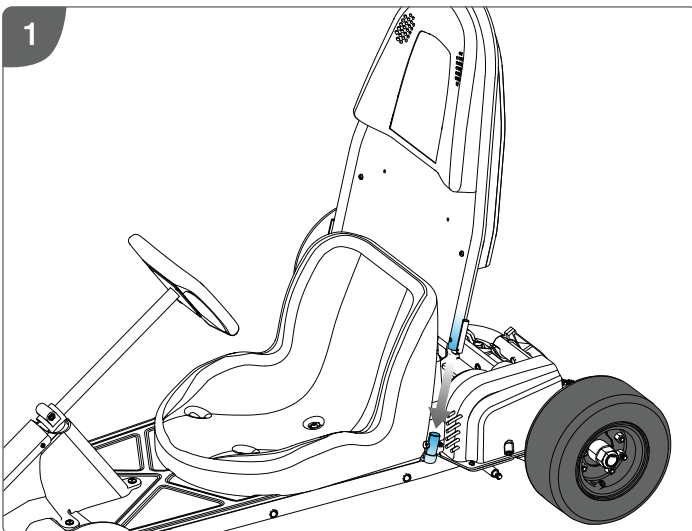
Open-End Wrench x1



Works with rapid **OR** standard charger.

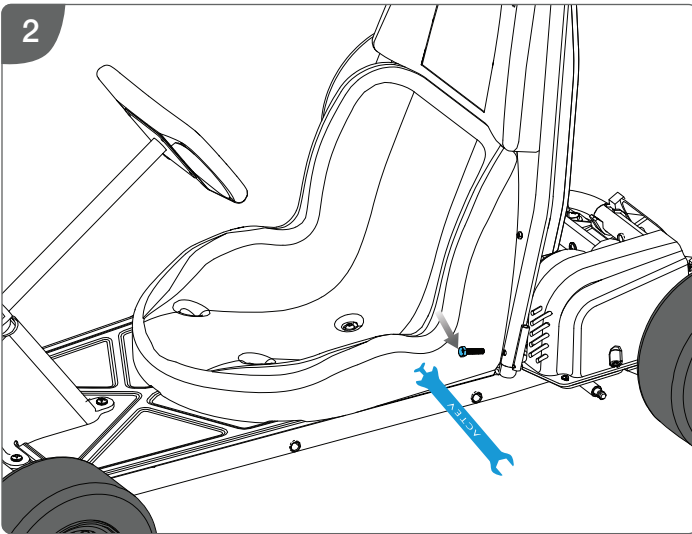


Works with standard **OR** double capacity battery.



Slide the backrest frame over each peg with the holes aligned.

Make sure the backrest is fully pressed down over each peg.

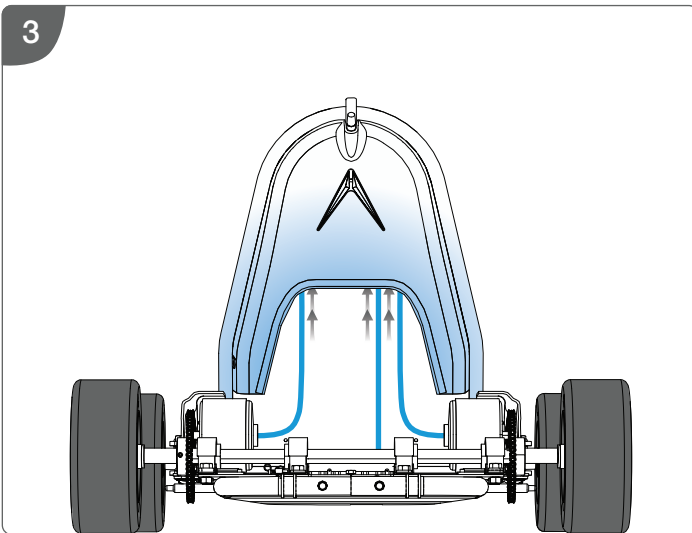


Insert Bolt E through the backrest frame and peg hole. Tighten the bolt using the supplied open-end wrench.

Repeat on the opposite side.



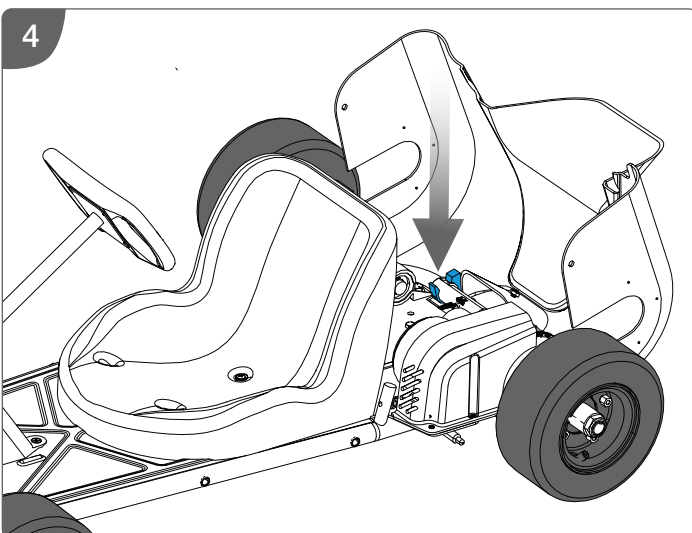
Bolt E x2



Remove and discard cable tie holding cables for shipment.

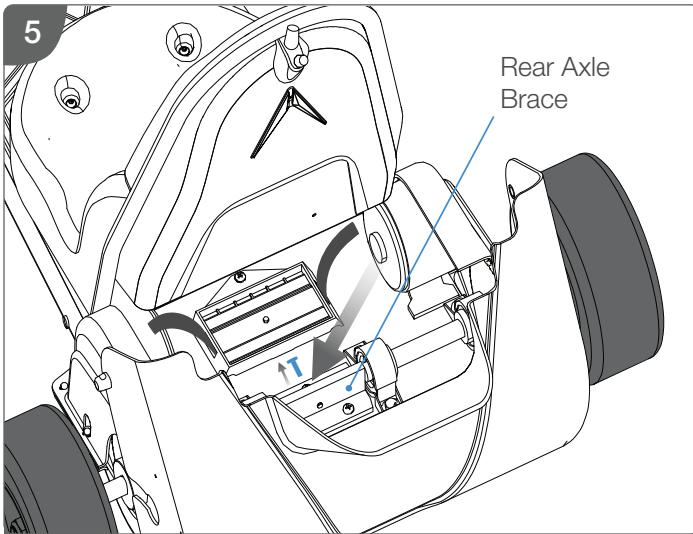
Plug the left and right motor cables into the marked connectors on the backrest (red wires on the right).

Plug the thin 6-wire cable into the connector labeled CAN Bus (green wire on the right).



Install the rear cover on the Arrow. Align the rear cover mounting clips with the chassis slots and snap into place.

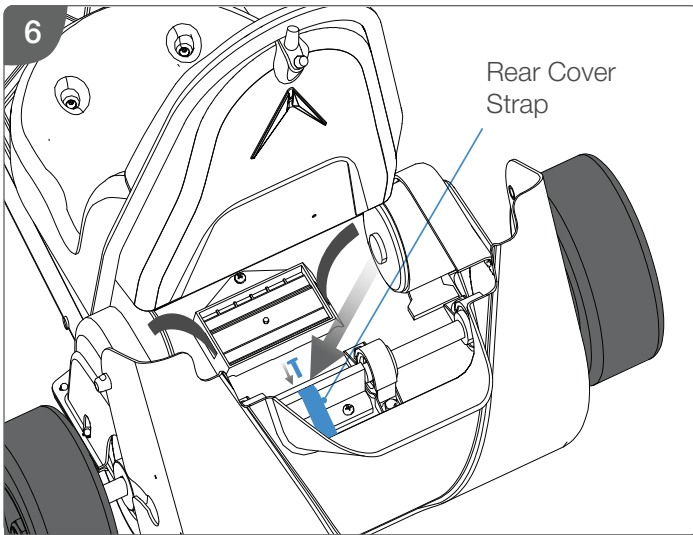
Note: Backrest intentionally not pictured in this step for clear visual of the clip. Your Arrow should already have the backrest installed.



Remove Screw F from inside surface of rear axle brace.




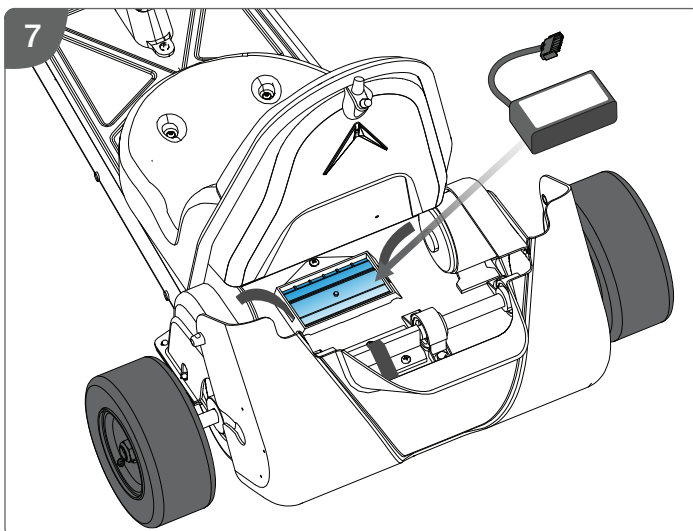
Screw F x1
(installed in rear axle brace)



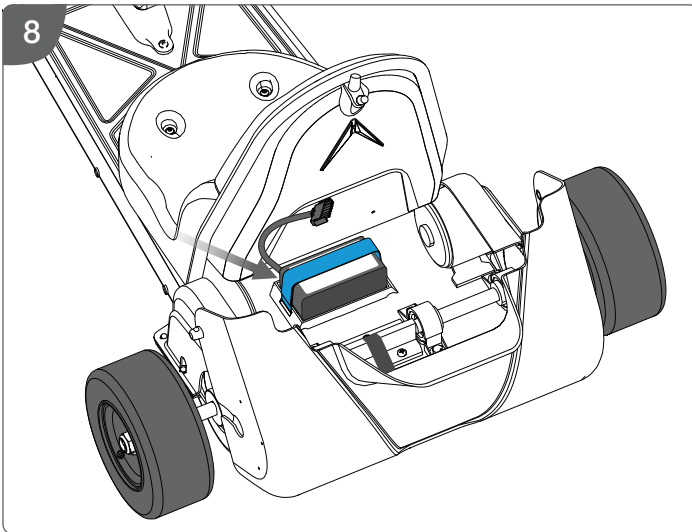
Lay the rear cover strap over the top of the rear axle brace. Insert Screw F through the strap on the inside surface of the rear axle brace. Tighten the screw with a Phillips screwdriver.



 You will need:
Phillips Screwdriver x1

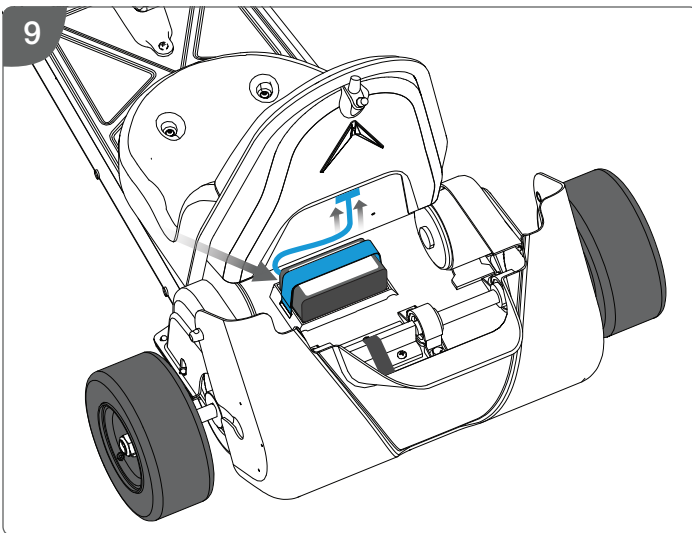


Place the battery on the battery tray in the orientation shown.



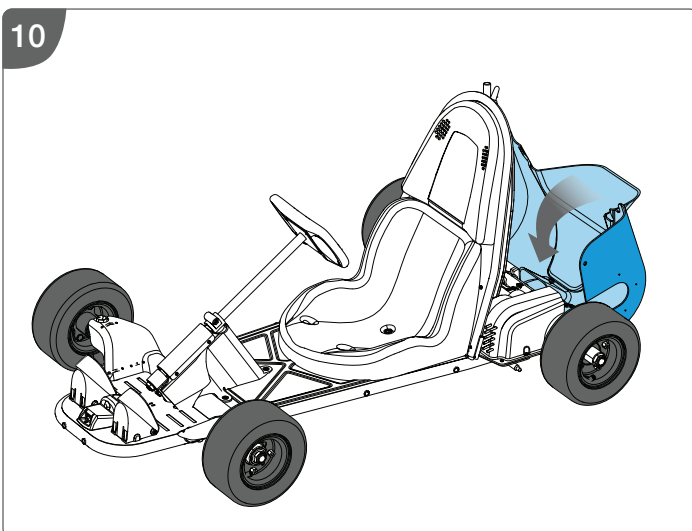
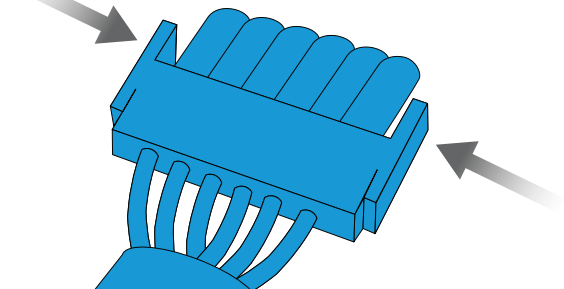
Fold the straps tightly over the battery and secure by pressing the hook and loop fasteners together.

The same instructions apply for the double capacity battery.



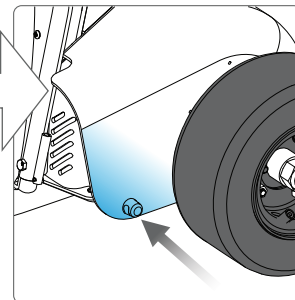
Plug the battery into the wide center connector in the back of the Arrow. Red wire should be on the right.

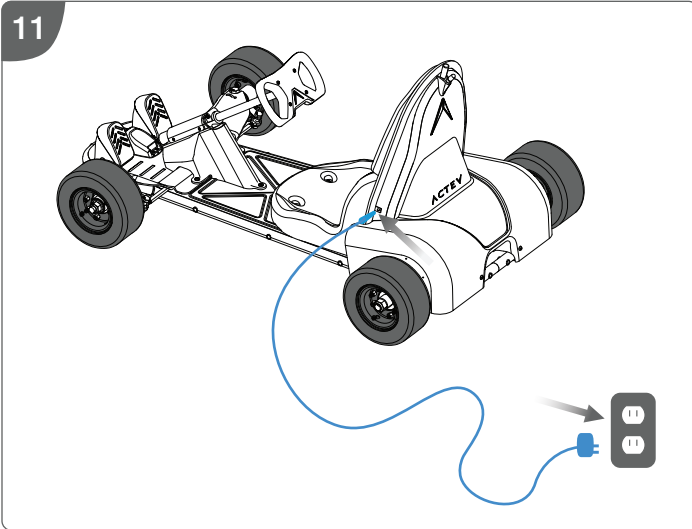
Squeeze on tabs to remove battery.



Close the rear cover and press inward to snap the buttons onto the posts on each side.

ATTENTION: The Arrow will not turn on unless the rear cover is fully closed.

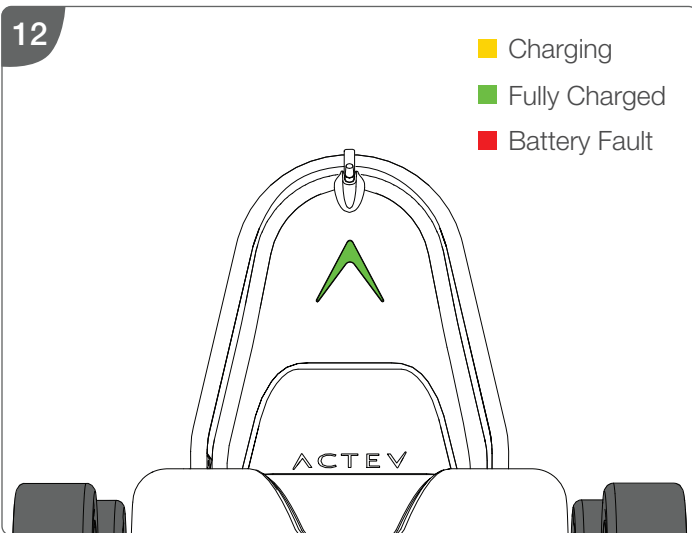




Plug the charger into the wall outlet and plug the other end into the charger jack on the left side of the Arrow.

ATTENTION: The Arrow will not charge unless the rear cover is fully closed.

We recommend fully charging the battery before using your Arrow for the first time.



The rear light will turn yellow to indicate charging. When fully charged, the light will turn green.

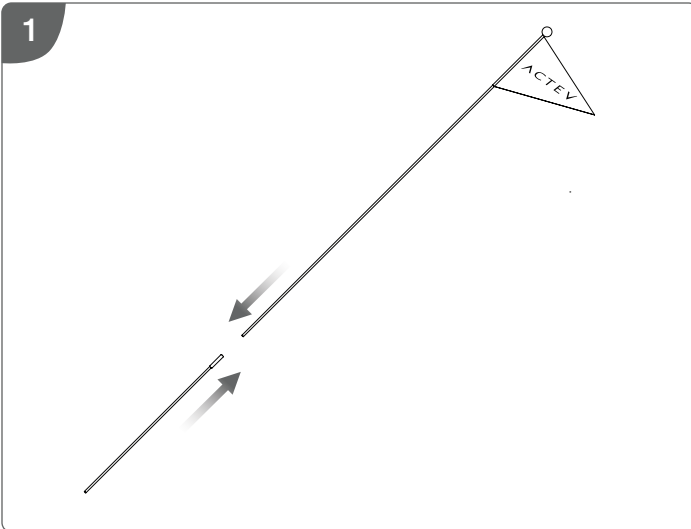
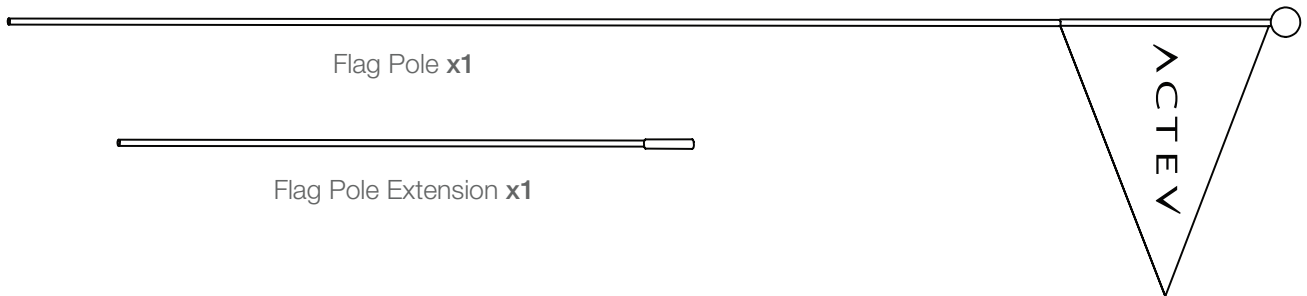
A red light indicates a battery fault. Contact Actev Motors at support@actevmotors.com.

The Arrow's Wi-Fi remains active during charging. You may connect with your mobile device to remotely monitor charging progress.

Approximate charging times for a fully-discharged battery:

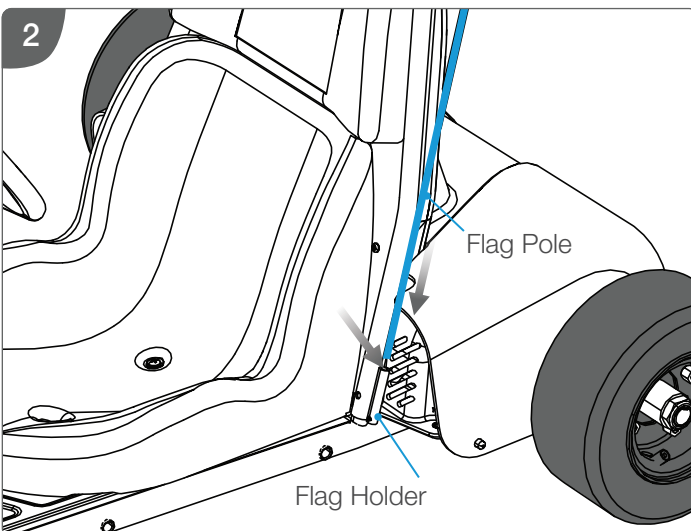
| | STANDARD BATTERY | DOUBLE CAPACITY BATTERY |
|------------------|------------------|-------------------------|
| STANDARD CHARGER | 10 HOURS | 18 HOURS |
| RAPID CHARGER | 90 MINUTES | 165 MINUTES |

Provided Parts

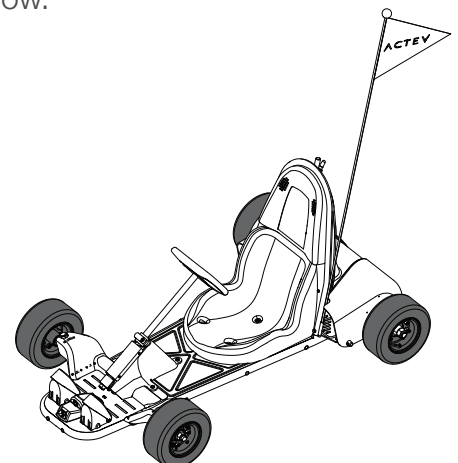


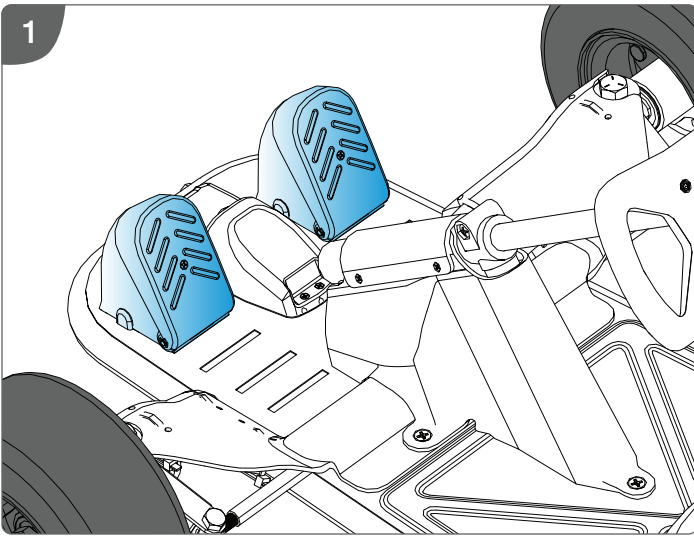
Insert the flag pole into the flag pole extension.

Flag pole extension is optional. However, we recommend using if tall vehicles are nearby.



Insert the flag pole into the flag holder on either side of the Arrow.



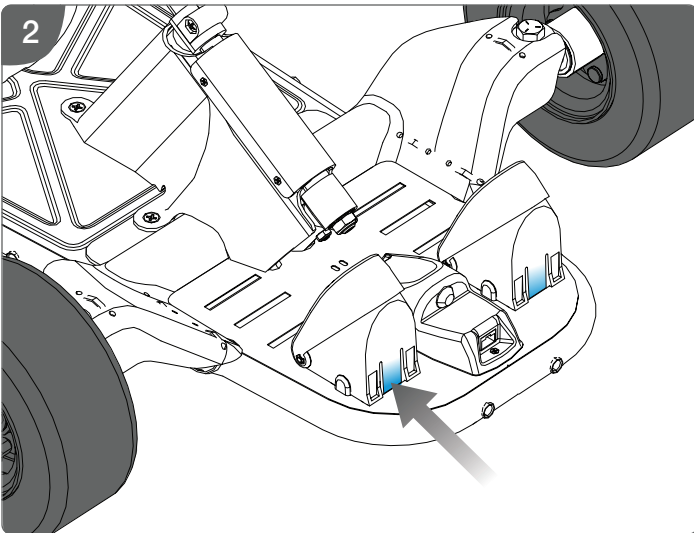


Seat the driver with legs extended and knees slightly bent.

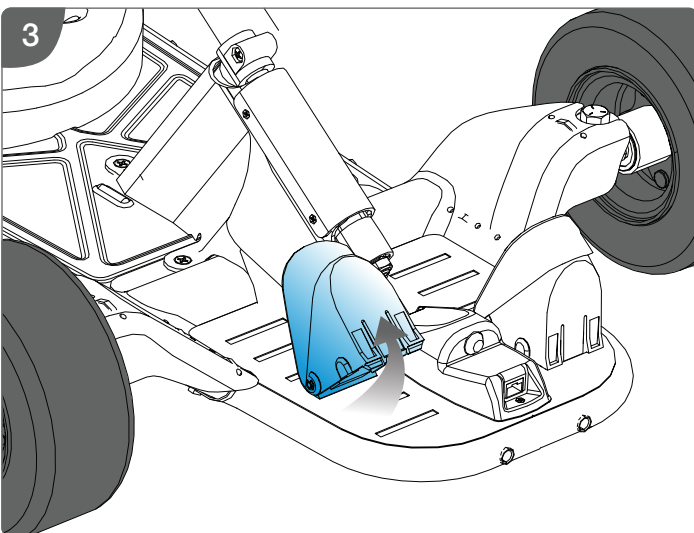
! ATTENTION: Do not place a pillow or anything behind a short driver. Child may fall out of the seat unless fully seated.

Adjust pedals so that the child can comfortably depress both pedals fully.

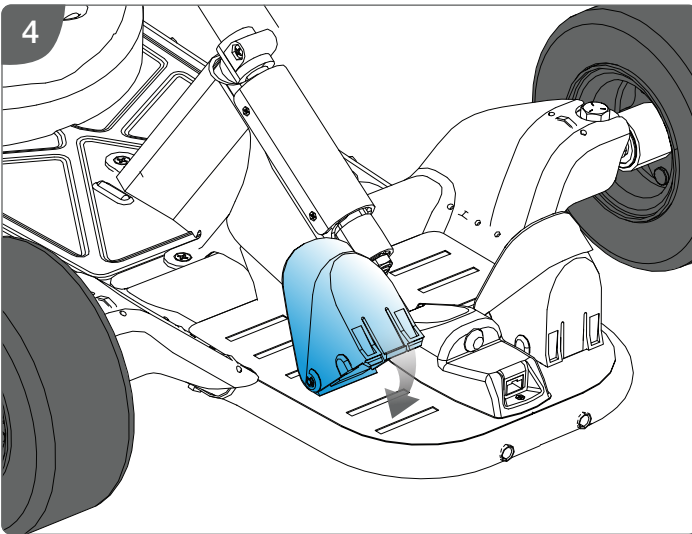
! ATTENTION: Arrow should be powered off or in park before adjusting pedals.



To change pedal position, press the tab on the back of the pedal.

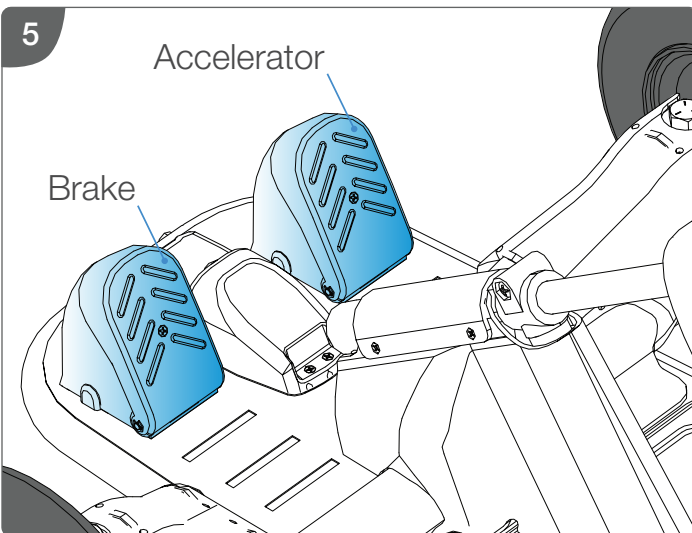


Tilt the pedal up until it releases from the rear slot.



To reinstall the pedal, place the pedal into a slot and then lower the pedal into the other slot. Press and release the tab to latch the pedal in place.

Gently lift up on the pedal to make sure the pedal is secure.



The left pedal is the brake pedal and the right pedal is the accelerator pedal.

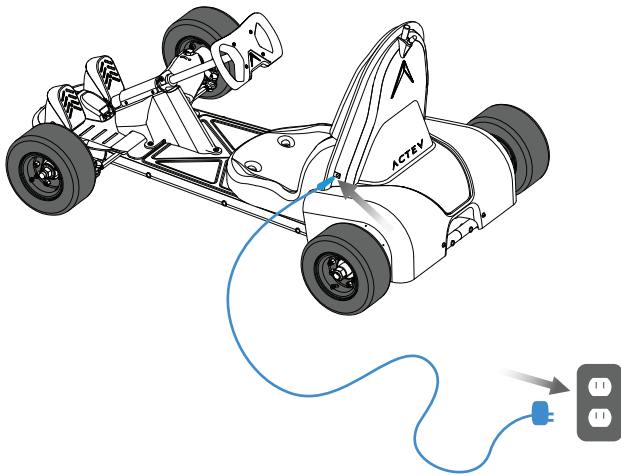
To put the Arrow into reverse:

- The Arrow needs to be fully stopped with the child's right foot off the accelerator pedal.
- The child fully depresses the brake pedal at least twice.
- If the speaker volume is sufficiently high, a direction change confirmation beep will be heard.
- The Arrow is now in reverse. The Actev App and rear light will reflect the gear change.
- To shift back into drive, repeat the same process.

Connecting mobile phone to Arrow

Your Arrow has its own Wi-Fi access point. Follow these instructions to connect the Arrow Smart-Kart to the Actev App. To use the Arrow, your mobile phone must be connected to the Arrow (and disconnected from your home Wi-Fi network).

1 Charge the battery to 100% capacity.



2 Download the Actev App from the iTunes Store or Google Play.

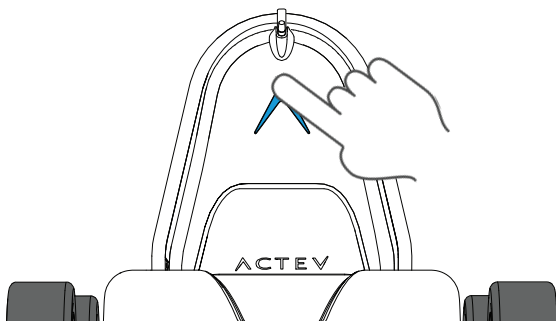


Instructions for download:

iOS - page 17

Android - page 22

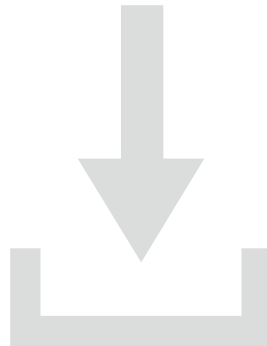
3 Unplug the charger from the Arrow. Turn on the Arrow by pressing the top of the Actev logo light on the seatback. The light will flash briefly and turn solid blue after a few seconds.



ATTENTION: Do not press the logo light while the charger is connected. The Arrow will not turn on while charging.

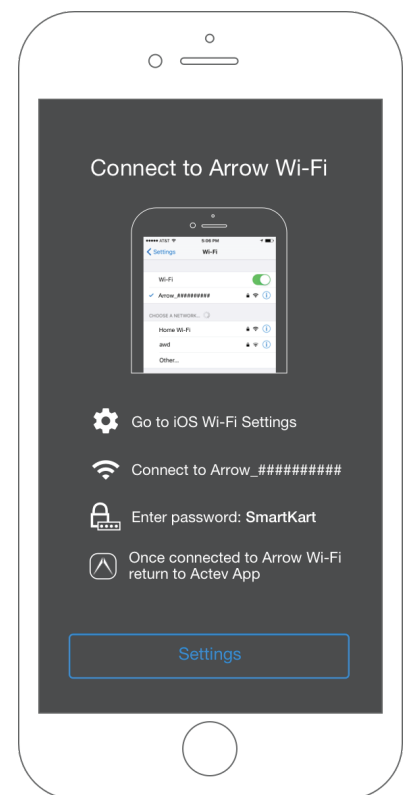
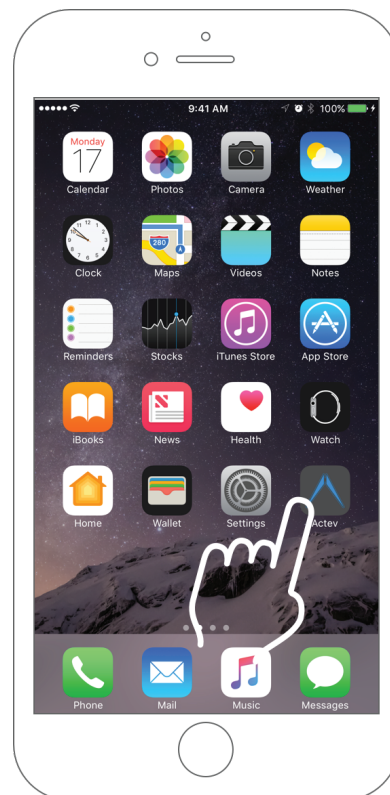
The Arrow can not be charged or turned on while the rear cover is open.

The Arrow may not charge or turn on below 0°C (32°F) or above 40°C (104°F).



1

Launch the Actev App and follow the setup instructions.

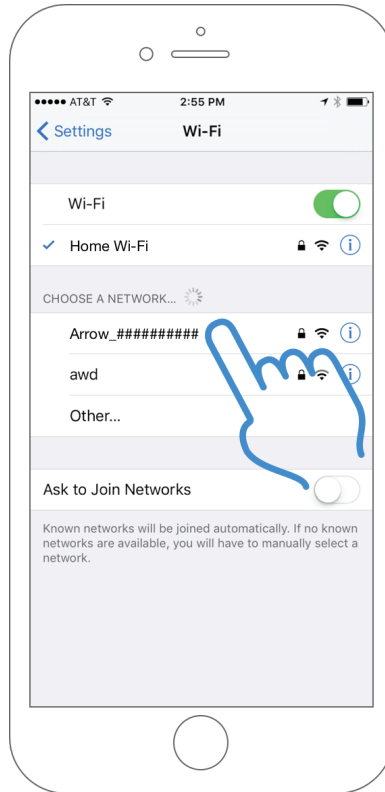


2

You will be directed to the iOS Settings.

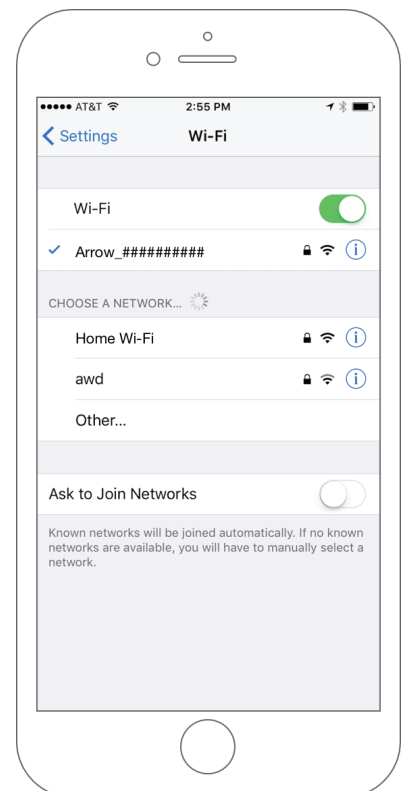
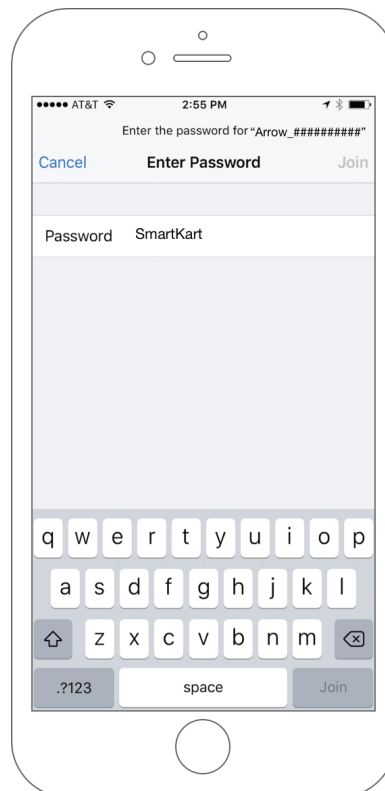
Select the Wi-Fi Network name: Arrow_[10 characters]

(The 10 characters match the serial number of your Arrow).



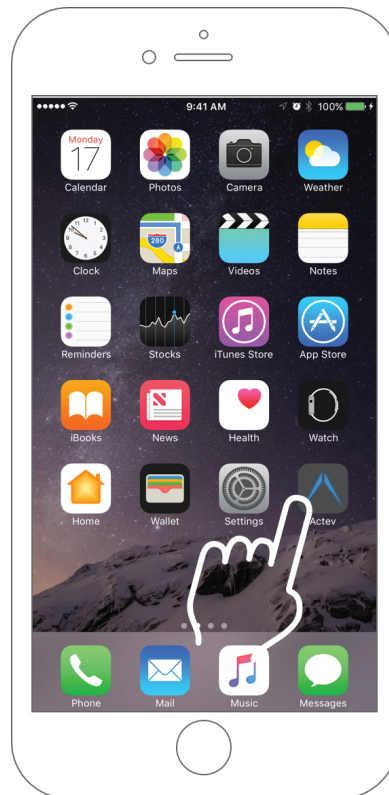
3

Enter the password: **SmartKart**



4

Return to the Actev App

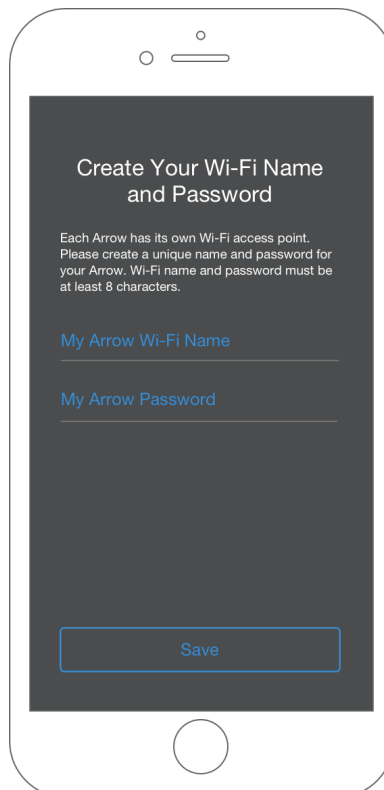


5

Create your own Wi-Fi name and password. If you will be using more than one Arrow, each must have a unique Wi-Fi name.

Only people with this Wi-Fi name and password will be able to connect to and control your Arrow.

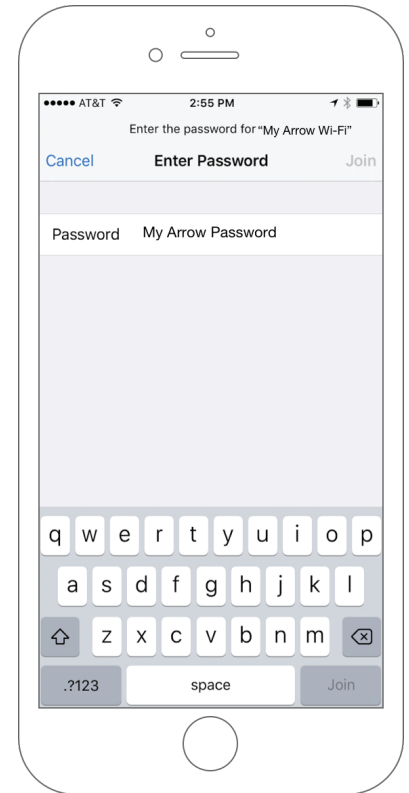
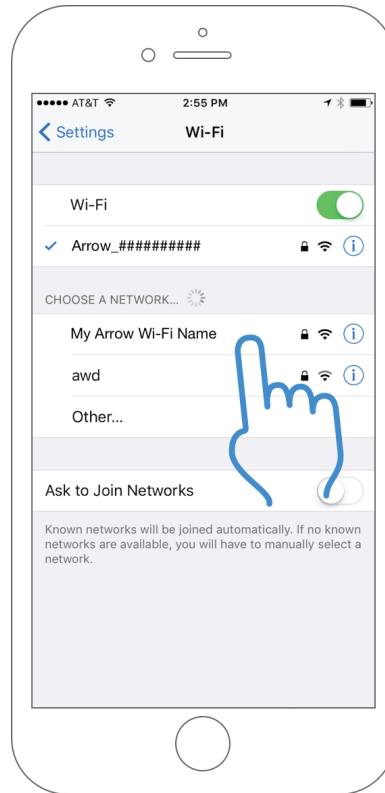
Your Wi-Fi name and password must each be at least 8 characters.



6

You will be directed back to the iOS Settings.

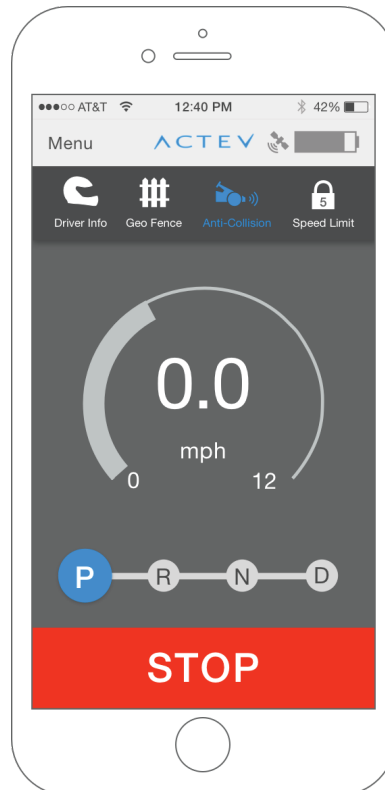
Find the Wi-Fi network with the name you just created and enter your new password.



7

Return to the Actev App and complete the safety tutorial.

Additional Info: Every time you want to drive the Arrow, you will have to go to iOS Wi-Fi Settings and connect to the Arrow's Wi-Fi network, then launch the Actev App.





ATTENTION:

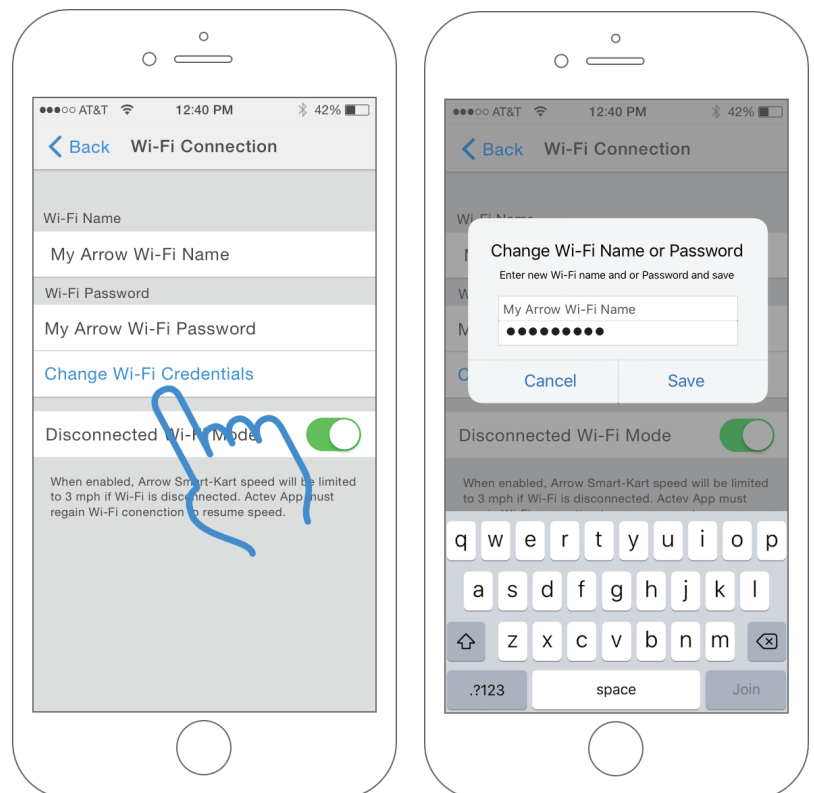
Check for software updates:

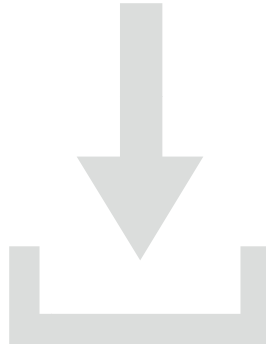
1. Disconnect iPhone from Arrow Wi-Fi.
2. Open Actev app.
3. Click Menu -> Settings -> ActevOS Update.
4. Download update (If there's no new update, it will say "ActevOS is up to date.")
5. Turn on Arrow and connect iPhone to Arrow Wi-Fi.
6. Click Menu -> Settings -> ActevOS Update.
7. Update Arrow. Update will be downloaded to the Arrow and then the Arrow will turn off.
8. Turn the Arrow back on. Wait for the update to install (logo will be green. Arrow will restart once update is complete and light will turn blue).
9. Your Arrow is ready to drive.

Changing your App Wi-Fi login and password:

1. In the Actev App, go into Wi-Fi Connection under Menu.
2. Select Change Wi-Fi credentials and you will be prompted to change your Wi-Fi name and or password. If you will be using more than one Arrow, each must have a unique Wi-Fi name.

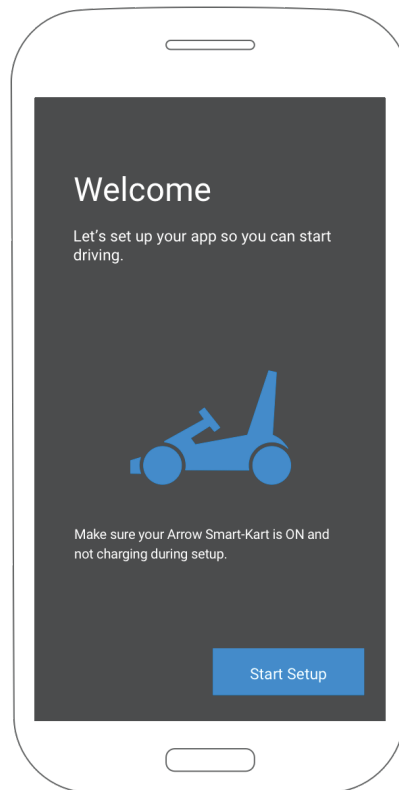
Note: Wi-Fi name and password must each be at least 8 characters.





1

Launch the Actev App and follow the setup instructions.

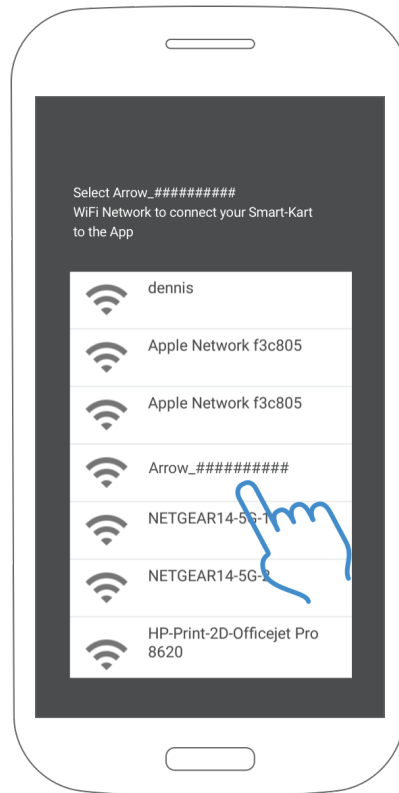


2

Select the Wi-Fi Network name: Arrow_[10 characters]

(The 10 characters match the serial number of your Arrow).

Enter the password: **SmartKart**

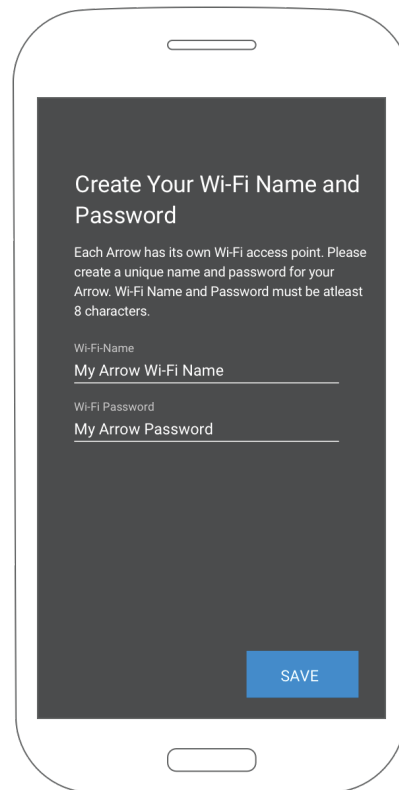


3

Create your own Wi-Fi name and password. If you will be using more than one Arrow, each must have a unique Wi-Fi name.

Only people with this Wi-Fi name and password will be able to connect and control your Arrow.

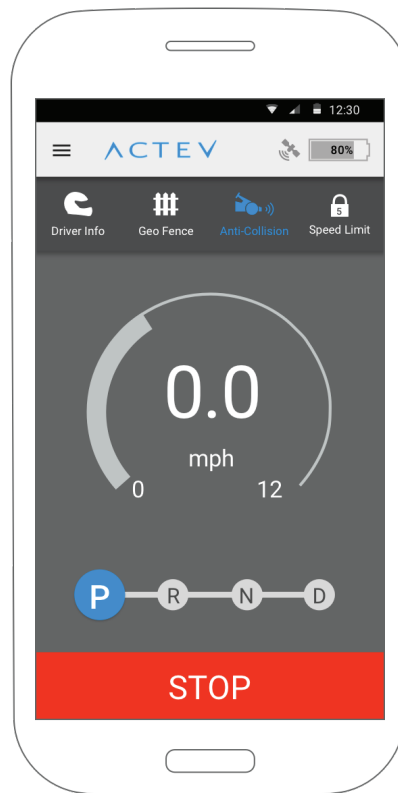
Your Wi-Fi name and password must each be at least 8 characters.



4

Complete the safety tutorial.

Additional Info: Every time you want to drive the Arrow, your phone must be connected to your Arrow's Wi-Fi network.

**ATTENTION:**

Check for software updates:

1. Disconnect iPhone from Arrow Wi-Fi.
2. Open Actev app.
3. Click Menu -> Settings -> ActevOS Update.
4. Download update (If there's no new update, it will say "ActevOS is up to date.")
5. Turn on Arrow and connect iPhone to Arrow Wi-Fi.
6. Click Menu -> Settings -> ActevOS Update.
7. Update Arrow. Update will be downloaded to the Arrow and then the Arrow will turn off.
8. Turn the Arrow back on. Wait for the update to install (logo will be green. Arrow will restart once update is complete and light will turn blue).
9. Your Arrow is ready to drive.

Changing your App Wi-Fi name and password:

1. In the Actev App, go into Wi-Fi Connection under Menu.
2. Select the edit icon and you will be prompted to change your Wi-Fi name and or password. If you will be using more than one Arrow, each must have a unique Wi-Fi name.

Note: Wi-Fi name and password must each be at least be 8 characters.

