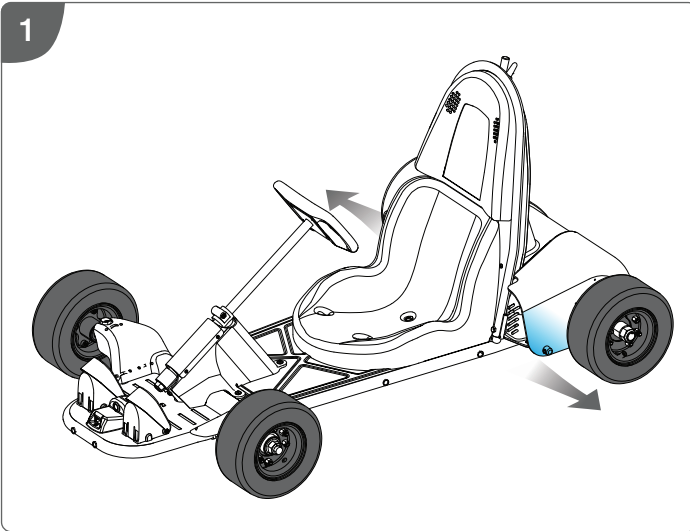
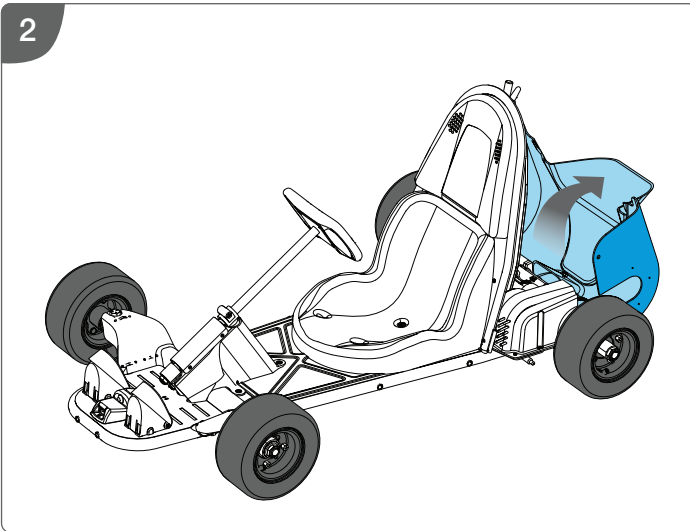


1



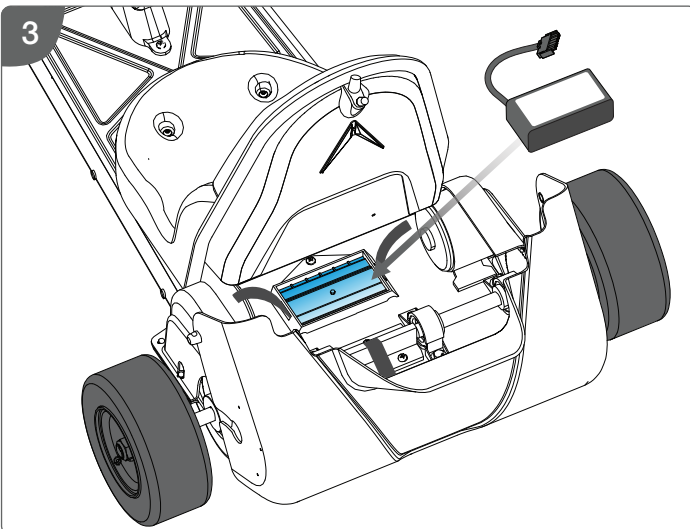
Pop the rear cover off posts on each side of the Arrow.

2

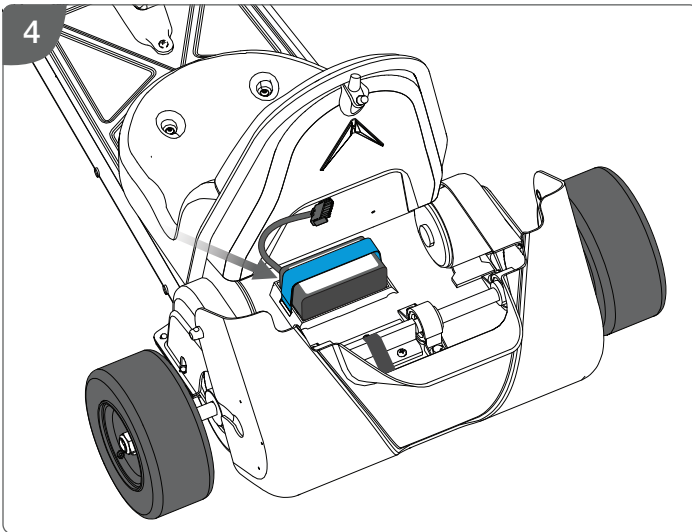


Gently pull back on the rear cover.

3

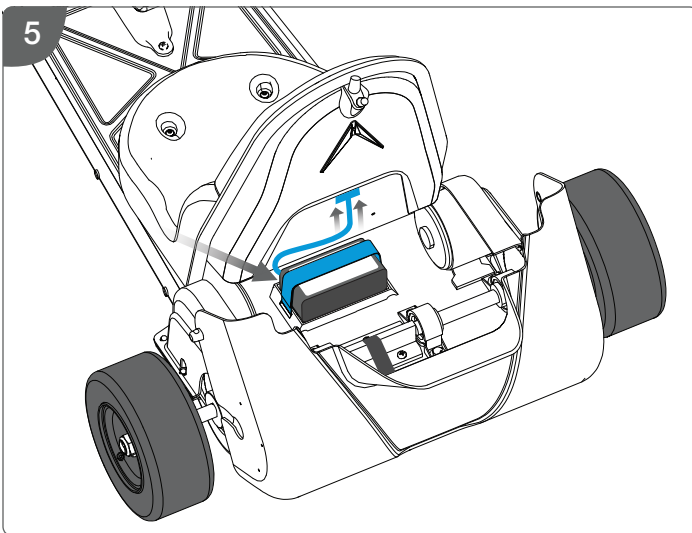


Place the battery on the battery tray in the orientation shown.

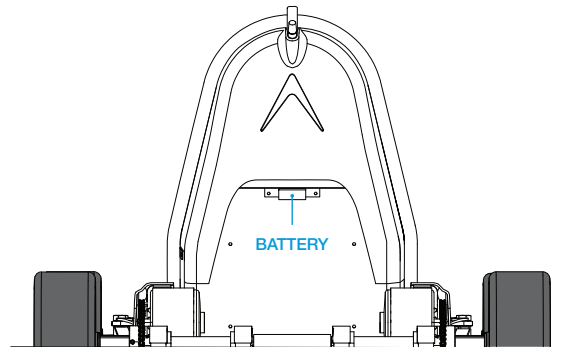


Fold the straps tightly over the battery and secure by pressing the hook and loop fasteners together.

The same instructions apply for the double capacity battery.

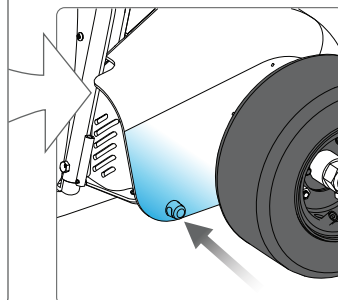
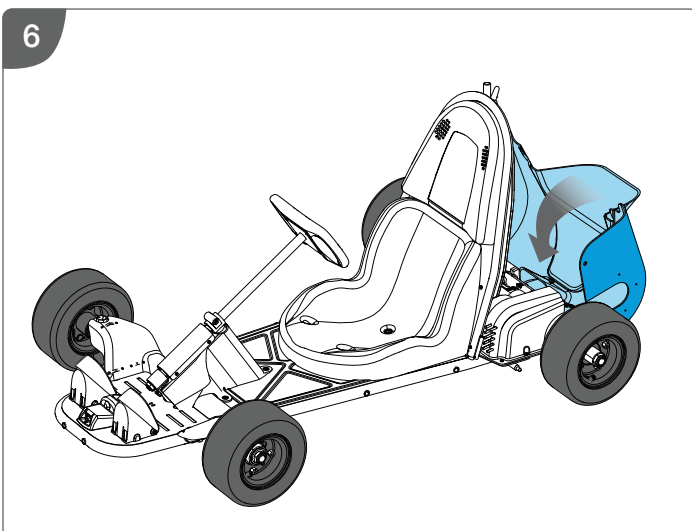


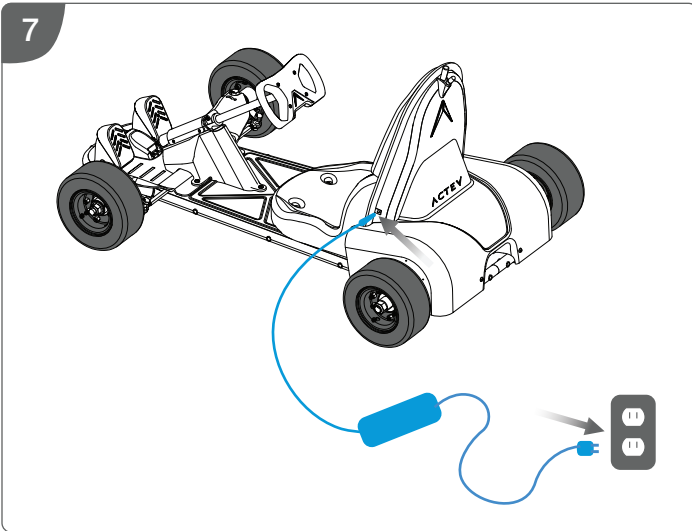
Plug the battery into the wide center connector in the back of the Arrow. Red wire should be on the right.



Close the rear cover and press inward to snap the buttons onto the posts on each side.

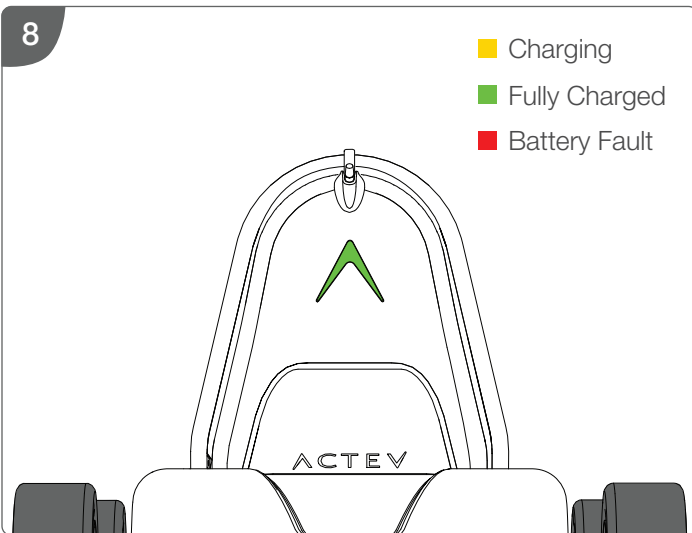
Note: The Arrow will not turn on unless the rear cover is closed.





Plug the charger into the wall outlet and plug the other end into the charger jack on the left side of the Arrow.

Note: The Arrow will not charge unless the rear cover is closed.



The rear light will turn yellow to indicate charging. When fully charged, the light will turn green.

A red light indicates a battery fault. Contact Actev Motors at support@actevmotors.com.

The Arrow's Wi-Fi remains active during charging. You may connect with your mobile device to remotely monitor charging progress.

Approximate charging times for a fully-discharged battery:

	STANDARD BATTERY	DOUBLE CAPACITY BATTERY
STANDARD CHARGER	10 HOURS	18 HOURS
RAPID CHARGER	90 MINUTES	165 MINUTES

LIMITED WARRANTY

Actev Motors provides a six-month limited warranty on the Smart Lithium-Ion Battery.

This warranty covers normal use but does not cover the product if damaged by improper use, neglect, accident, abuse, misuse, improper service or other causes not arising out of defects in materials or workmanship. Improper use includes driving on unpaved surfaces, on hills or in wet conditions. Evidence of any attempt at consumer repair will void this warranty.

THIS WARRANTY DOES NOT COVER, AND IS INTENDED TO EXCLUDE, ANY LIABILITY ON THE PART OF ACTEV MOTORS, WHETHER UNDER THIS WARRANTY OR IMPLIED BY LAW FOR ANY INDIRECT OR CONSEQUENTIAL DAMAGES FOR BREACH OF WARRANTY. SOME STATES DO NOT ALLOW THE EXCLUSION OR LIMITATION SO THIS LIMITATION MAY NOT APPLY TO YOU.

If this product has a manufacturing defect within six-months of receipt, contact warranty@actevmotors.com. Please keep your shipping box. The warranty does not cover return shipping damage resulting from insufficient packaging.

BATTERY AND CHARGER WARNINGS

Lithium-Ion batteries contain hazardous chemicals and store considerable energy. Observe the following rules to prevent fire, explosion or serious injury:

- Observe all safety warnings on the battery label.
- Use only Actev Motors Lithium-Ion Battery; use of improper battery could cause **FIRE** and **EXPLOSION!**
- Misuse, modification and damage can cause Lithium-Ion batteries to **IGNITE** and **EXPLODE!**
- Use only Actev Motors Lithium-Ion Battery Chargers.
- Contact Actev Motors immediately if suspected of damage.
- Always secure battery with straps when driving.
- Battery should not be used or charged below 0°C (32°F) or above 40°C (104°F).
- Only carry the battery by holding onto the main case; do not carry by the cable.
- Never insert any objects into the battery connector.
- Do not remove the protective cover or disassemble the battery.
- Always protect the battery from damage during transportation.
- Never dent or pierce battery case.
- Clean the battery with a damp cloth; never immerse in water.
- Do not heat above 212°F (100°C).
- Do not modify in any way, crush, or dispose of in fire.

BATTERY DISPOSAL

- Return a damaged exhausted battery to a federal or state approved Lithium-Ion battery recycler. Contact your local waste management officials for other information regarding environmentally sound collection, recycling and disposal of Lithium-Ion batteries.
- Do not dispose of a Lithium Ion battery in your regular household trash. Incineration, landfilling or mixing of Lithium-Ion batteries with household trash is prohibited by law in most areas.
- Do not dispose of a Lithium-Ion battery in a fire. The battery may explode or leak.